



**IP65**



136 W  
Up to 19,000 Lumens



**DLC 5.1  
PREMIUM  
LISTED**

13,000 Lumen Option Available

## PERFORMANCE HIGH BAY

Industrial High Output High Bay for Indoor Applications

### APPLICATIONS: GYMNASIUMS, WAREHOUSES AND OTHERS

A performance model round high bay within the suite of RCA high bays. IP65 and NSF rated the Performance High Bay is a one-for-one replacement for HID fixtures, particularly in sanitation-focused high ceiling locations. Engineered with pure aluminum dual layer body to be light weight and for fast heat transfer.

Performance model with high efficiency drivers & heat management.

Fast Install: Lightweight with mounting options to replace HID fixtures.

IP65 & NSF Certified fixture and accessories.

Multiple Control Options with Sensor Connect for commissioning.

## STANDARD FEATURES

Out-Of-The Box



**FUTURE PROOF & SCALABLE**

### All Models

The Performance High Bay performs true to spec out of the box. 0 - 10 V dimming capable & **Ready to make the Upgrade to LLLC when you are.**

## LUMINAIRE LEVEL LIGHTING CONTROLS

Upgrade with Sensor Connect Smart Controls & Accessories



**OCCUPANCY SENSING**

### Requires | LGE-HB-OSZ-IP65-V

A plug-and-play Multi-Sensor with tactile buttons for easy standalone lighting controls. Program min/max levels, motion detection and more.



**WIRELESS CONTROLS & OCCUPANCY SENSING**

### Requires | LGE-HB-OSZ-IP65-V + Android Phone

Convert your lights into a wireless mesh network using your Android Device. Group and commission your lighting network, and set up advanced LLLCs.

## Ordering Information

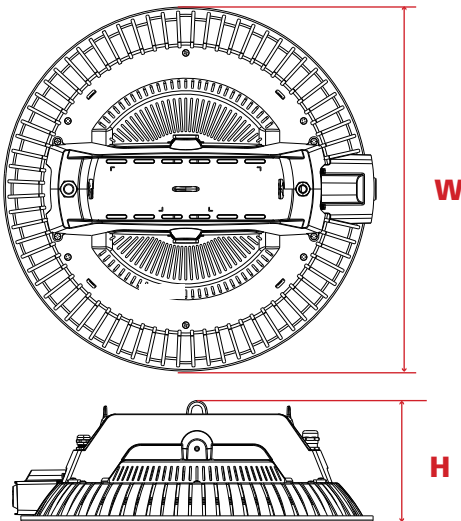
Example: LGE-HB-093-50-13020-LGE-DONGLE-VLC

Product	Model Number	Watts	CCT	Lumens	Beam	Driver	Options	
Performance High Bay NSF Rated Up to 140 lm/w	LGE-HB-093-40-12800-90D	93 W	4000 K	12,800 lm	90°	Universal AC 120- 277 V 50 - 60 Hz	<b>LGE-HB-OSZ-IP65-V</b> Occupancy Sensor, Wireless Control (Optional)	<b>EM40W-IP65</b> Emergency Pack 40W / 90 Min
	LGE-HB-093-50-13020-90D		5000 K	13,020 lm				
	LGE-HB-136-40-18700-65D	136 W	4000 K	18,700 lm	65°		<b>LGE-DONGLE-VLC</b> Wireless Communication Module	<b>LGE-HB-WGD</b> Wire-guard All Models
	LGE-HB-136-50-19040-65D		5000 K	19,040 lm				
	LGE-HB-136-40-18700-90D		4000 K	18,700 lm	90°		<b>LGE-HB-BKT</b> Mounting Bracket All Models	<b>RCA-AC</b> Cable Mount Kit All Models
	LGE-HB-136-50-19040-90D		5000 K	19,040 lm				

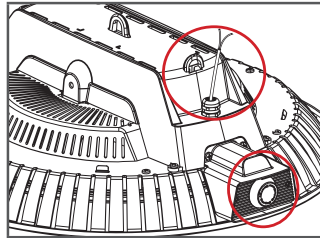
# PERFORMANCE HIGH BAY

Specs subject to change

## Dimensions & Parts



Size	Optical Unit	Width (W)	Height (H)	Weight
93 W	All	18.1"	6.2"	9.5 lb
136 W	All	18.1"	6.2"	9.7 lb



### Control Options

- | Easy Plug-N-Play Multi-Sensor
- | Dimming Wire: 0 - 10V
- | ZigBee Dongle concealed by IP65 rated waterproof cap.

## Accessories



Battery Backup	Smart Lighting Controls			Protective	Mounting Kits   Field-Installable	
<b>EM40W-IP65</b> Emergency Pack 40W / 90 Min IP65 Rated	<b>Configuration 1</b> Occupancy Sensor Only	<b>Configuration 2</b> Wireless Control + Occupancy Sensor	<b>Configuration 2</b> Wireless Control Only	<b>LGE-HB-WGD</b> Wire-guard All Models	<b>LGE-HB-BKT</b> Mounting Brackets All Models	<b>RCA-AC</b> Cable Mount Kit All Models

## Lighting Specifications

<b>Power Consumption</b>	93 W	136 W
<b>Max Delivered Lumens</b>	13,020 lm	Up to 19,040 lm
<b>Lifetime</b>	70,000 Hrs. @L80	50,000 Hrs. @L85
<b>Color Temperature</b>	4000 K, 5000 K	
<b>Optical Unit (Lens)</b>	Dual Tempered Glass + Frosted PET	
<b>Beam Angle</b>	Aisle (65°) & Standard (90°) Beam Angles	
<b>Efficacy</b>	Up to 140 Lumens Per Watt	
<b>Input Voltage</b>	AC 120 - 277V, 50 - 60 Hz	
<b>CRI</b>	83 +	
<b>Controls</b>	Sensor Connect, Smart Luco, VLC, 0 - 10 V	
<b>Mounting</b>	Pendant, Surface, Bracket, Suspended	

## DLC Product ID Reference Chart

US Order Code	DLC Prod. ID	US Order Code	DLC Prod. ID
LGE-HB-093-40-12800-90D	PST58HU3	LGE-HB-093-50-13020-90D	PD0TKPWT
LGE-HB-136-40-18700-65D	P665L4AO	LGE-HB-136-40-18700-90D	PBNU25MD
LGE-HB-136-50-19040-65D	PCRH7R63	LGE-HB-136-50-19040-90D	PBEHW9VQ

## Certifications & Warranty

DLC 5.1 Premium Listed. cULus Listed, UL 1598 Damp Location use. RoHS Compliant. NSF/ANSI2 (Splash Zone & Non-Food Zone) Meets FCC Standards, TAA Compliant, IP65 Rated. Covered by RCA Commercial 5 Year Advanced Replacement Warranty.