



IP66



HB 600 SERIES | LINEAR HIGH BAY

Industrial High Output Light for Indoor Applications

APPLICATIONS: HIGH BAY, MID BAY AND AISLE FOR COMMERCIAL FACILITIES

The linear style '600' series High Bay is durable with a housing made of high impact extruded 6063 aluminum alloy and can handle all the requirements of industrial lighting. IP66 Certified, with optional factory installed NSF upgrades, the HB6 is able to be used in sanitation focused high-ceiling locations.

NSF capable: wet location rated and can be upgraded to meet NSF

Motion & wireless controls capable for increased energy savings

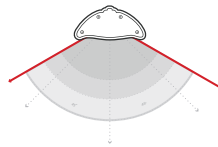
277-480 VAC high voltage option available in 4' and 5' sizes*

Battery backup options available



**DLC 5.1
PREMIUM
LISTED**

600 SERIES Performance Summary

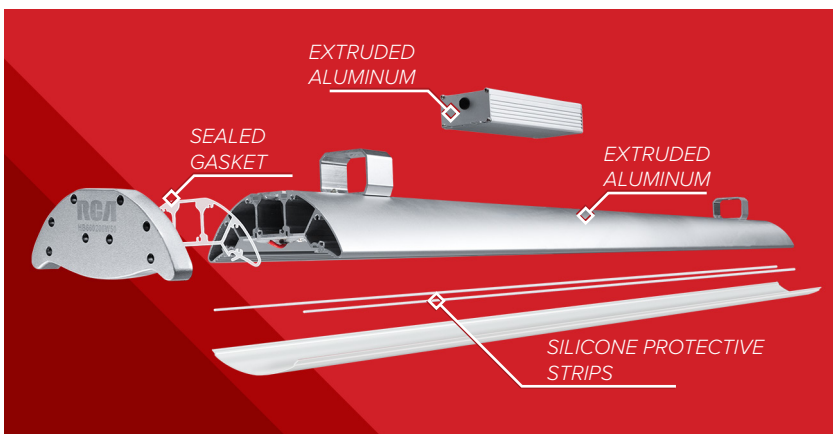


**120°
Beam Angle**

**10,800 lm
to 28,000 lm**

**Up to
140 lm/w**

**Sensor
Connect
Capable**



Easy to install and water-tight enclosure

The 600 Series High Bay has an external IP66 rated Driver that makes for easy replacement if ever needed. A dust-free, water-tight enclosure keeps lights bright with no build up of internal debris. The 600 Series High Bay includes a 10' PVC whip with a removable water-tight connector included to help make installation fast and easy.

Ordering Information

Example: HB6-60200W-50-HV

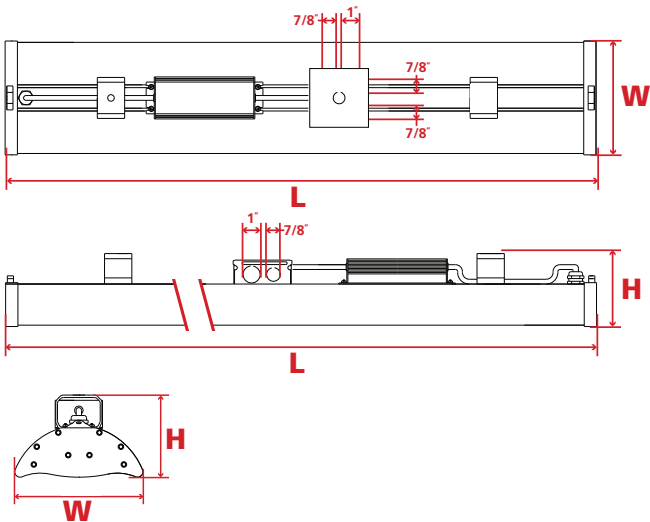
Product	Size	Model Number	Watts	CCT	Lumens	Beam	Driver	Options						
600 Series High Output High Bay Light	2'	HB6-2480W-40	80 W	4,000 K	10,800 lm	120°	Universal AC 120- 277 V 50 - 60 Hz	NSF NSF Upgrade Factory Installed	HV High Voltage, 277 - 480 V 4' and 5' Only*					
		HB6-2480W-50		5,000 K	11,200 lm									
	3'	HB6-36100W-40	100 W	4,000 K	13,500 lm									
		HB6-36100W-50		5,000 K	14,000 lm									
	4'	HB6-48160W-40	160 W	4,000 K	21,600 lm									
		HB6-48160W-50		5,000 K	22,400 lm									
	5'	HB6-60200W-40	200 W	4,000 K	27,000 lm									
		HB6-60200W-50		5,000 K	28,000 lm									
													EM25W Battery Backup 25W / 90 Min	MSPKG Motion Sensor All Models
													EM40W-IP65 Battery Backup IP65 Rated	RCA-AC Aircraft Mounting Cable

*4' high voltage (HV) models are special order, lead times and minimum order quantities may apply

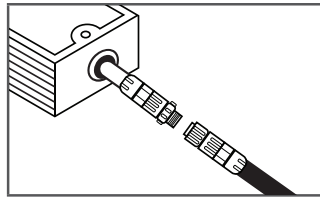
HB 600 SERIES | LINEAR HIGH BAY

Specs subject to change

Dimensions & Parts



Size	Width (W)	Length (L)	Height (H)	Weight
2 ft.	6.58"	23.62"	3.15"	7.9 lbs
3 ft.	6.58"	35.44"	3.15"	11.3 lbs
4 ft.	6.58"	47.24"	3.15"	14 lbs
5 ft.	6.58"	59.06"	3.15"	19 lbs



Waterproof Connector

- Pre-wired connection is water tight.
- IP66 rated driver.
- Factory upgrades allow fixture to meet NSF certifications.

Accessories



Battery Backup	Lighting Controls	Mounting Field-Installable
EM25W Emergency Pack 25W / 90 Min Remote mounting required on 2' & 3' models	EM40W-IP65 Emergency Pack 40W / 90 Min IP65 Rated	MSPKG Motion Sensor Package Factory Installed All Models
		RCA-AC Cable Mount Kit All Models

Lighting Specifications

Size	2 ft.	3 ft.	4 ft.	5 ft.
Power Consumption	80 W	100 W	160 W	200 W
Max Delivered Lumens	11,200 lm	14,000 lm	22,400 lm	28,000 lm
Efficacy (5000K)	140 lm/w	140 lm/w	140 lm/w	140 lm/w
Color Temperature	4000 K, 5000 K			
Optical Unit (Lens)	Frosted Polycarbonate			
Ambient Temp.	-30°C (-22°F) to 55°C (131°F)			
Beam Angle	120°			
Input Voltage	AC 120 - 277V, 50 - 60 Hz (277 - 480 V available in 4' & 5'')			
CRI	80 +			
L80 Lifetime	50,000 Hours at L80			
Controls	1 - 10 V			

DLC Product ID Reference Chart

US Order Code	DLC Prod. ID	US Order Code	DLC Prod. ID
HB62480W-40	PLRUQA5KZOI	HB62480W-50	PLX8B814Q2Z7
HB636100W-40	PLMKQ9BFNWRL	HB636100W-50	PLJ186AEU4S5
HB648160W-40	PLLN6YWHZ1O	HB648160W-50	PLR410M6T0S9
HB660200W-40	PL2GDF9RGO4J	HB660200W-50	PL4V6EQZ472W

Mounting Options



*Requires additional factory installed parts

Certifications & Warranty

UL Listed, DLC 5.1 Premium Listed, RoHs Compliant, FCC Certified, IP66 Rated, 5 Year Advanced Exchange Warranty.