



## SMART MULTI SENSOR

### Occupancy & Ambient Plug-and-Play Sensor

**WORKS WITH: SIMPLE CHOICE TROFFERS, DOWNLIGHTS & STRIP LIGHTS**

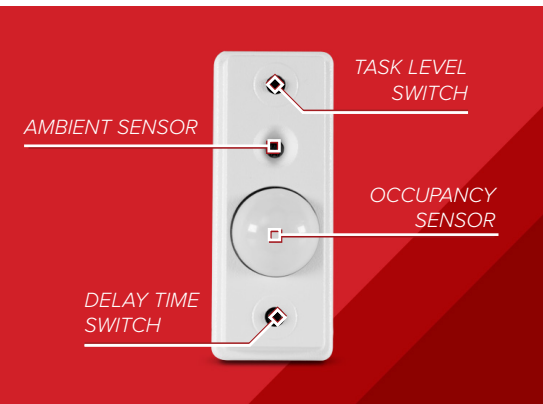
The field installable multi sensor features a Passive Infrared (PIR) motion sensor with ambient light sensor for occupancy sensing & daylight harvesting. Users can program a single sensor or group and commission a number of fixtures all at once with ZigBee or Smart Luco.

- | **Plug into any RCA Smart Dongle for Easy Setup and Installation**
- | **Bluetooth or Zigbee Wireless Controls for Grouping and Commissioning**
- | **Maximize energy savings with occupancy sensors.**
- | **Ambient light sensor for daylight harvesting.**



## STANDALONE & NETWORK FUNCTIONALITY

Use the RCA Multi-Sensor



**Standalone Plug-in Occupancy Sensor**

Easy plug-and-play lighting controls & sensors. The field installable Multi-sensor features a occupancy sensor & ambient light sensor, tactile buttons make it easy to program to your needs without the use of a mobile device or wireless network.

**Networked Sensor with Wireless Control**

Convert your lights into a wireless mesh network using your Android or iOS device. With the multi-sensor and wireless communication module you can group and commission your lighting network and set up advanced LLLCs.

## LIGHTING CONTROL OPTIONS

Upgrade with Sensor Connect Smart Controls & Accessories



**ATTACHED OR EMBEDDED MULTI-SENSORS**

**Easily Upgradeable and Futureproof**

RCA offers a wide selection of smart lights with multi-sensors already embedded in the fixture, or a smart ready driver, that can be upgraded in the future.



**RADIO CONTROL ONLY**

**Control Multiple Lights with one Multi-Sensor**

The wireless dongle and Sensor Connect App can link lights together (group) to follow one multi-sensor' occupancy or ambient light detection.



**WIRELESS LIGHTING CONTROLS**

**Control all your lights from your mobile device**

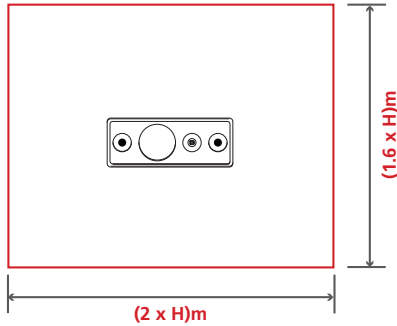
The Sensor Connect app puts all your wirelessly networked devices in one easily manageable location.

# SMART MULTI SENSOR

Specs subject to change

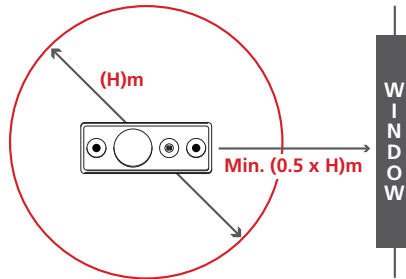
## Detecting Areas

### Motion Detecting Area



Height	Short Side	Long Side
8.2 ft	13.1 ft	16.4 ft
11.5 ft	18.4 ft	23 ft
<i>H ft</i>	<i>(1.6 x H) ft</i>	<i>(2 x H) ft</i>

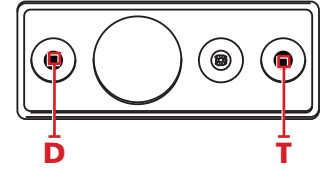
### Light Sensing Area



Height	Radius
8.2 ft	8.2 ft
11.5 ft	11.5 ft
<i>H ft</i>	<i>H ft</i>

## Field Adjustable Sensor Programming

Press programming buttons to adjust Occupancy Delay Time (D) and Task level brightness (T).



Press (D) #	Delay Time	Reaction
1	30 Seconds	1 Blink
2*	10 Minutes	2 Blinks
3	20 Minutes	3 Blinks

Press (T) #	Task Level - Background	Reaction
1	High	1 Blink
2*	Medium	2 Blinks
3	Low	3 Blinks

\* Default Settings

## Accessories



Troffers & Downlights	For Strip & Wrap Around Lights	Universal, Works on all Sensor Connect Compatible Lights			
<b>RCA-MULTI-SENSOR</b> Occupancy Sensor Wireless Control (Optional)	<b>LGE-MULTI-SENSOR-LS</b> Occupancy Sensor ST, SD, SH & SHL Only	<b>SC-SMAH</b> Multi-Sensor Wired Harness ST, SD, SH & SHL Only	<b>LGE-DONGLE-VLC</b> Wireless Communication Only	<b>LGE-CEILING-CLIP</b> Ceiling Panel Clip for Multi-Sensor	<b>LGE-TBAR-CLIP</b> T-Bar Ceiling Clip for Multi-Sensor

## Ordering Information (Use Model Numbers column for ordering)

Example: RCA-MULTI-SENSOR-LGE-TBAR-CLIP

Product	Product Type	Model Number	Power	Voltage	Frequency	IP	Options
Smart Multi Sensor High Output Asymmetric Strip Light	For Troffers, Retrofits & Downlights	RCA-MULTI-SENSOR	0.2 W	3.3 VDC	2405 ~ 2480 Mhz	20	LGE-CEILING-CLIP Ceiling Panel Clip for Multi-Sensor
	For Strip & Wraparound Lights ST, SD, SH, & SHL	LGE-MULTI-SENSOR-LS					LGE-TBAR-CLIP T-Bar Ceiling Clip for Multi-Sensor
	Wireless Communication Module (VLC)	LGE-VLC-DONGLE					SC-SMAH Multi-Sensor Wired Harness ST, SD, SH & SHL Only